

**PLEASE CHECK WWW.MOLEX.COM FOR LATEST PART INFORMATION**

**Part Number:** [0194350813](#)  
**Status:** **Active**  
**Overview:** [mx150l sealed connector system](#)  
**Description:** MX150L™ 8 Circuit Rear Mount Flange Plug for 14-16 AWG Wire, without Gasket

**Documents:**

[3D Model](#) [RoHS Certificate of Compliance \(PDF\)](#)  
[Drawing \(PDF\)](#)

**General**

Product Family	Crimp Housings
Series	<a href="#">19435</a>
Comments	Mat Seal Color is Blue
Overview	<a href="#">mx150l sealed connector system</a>
Product Literature Order No	987650-2181
Product Name	MX150L™

**Physical**

Circuits (maximum)	8
Gender	Male
Glow-Wire Compliant	No
Lock to Mating Part	Yes
Number of Rows	2
Packaging Type	Bag
Panel Mount	Yes
Pitch - Mating Interface (in)	0.230 In
Pitch - Mating Interface (mm)	5.84 mm
Polarized to Mating Part	Yes
Stackable	No
Temperature Range - Operating	-40°C to +125°C

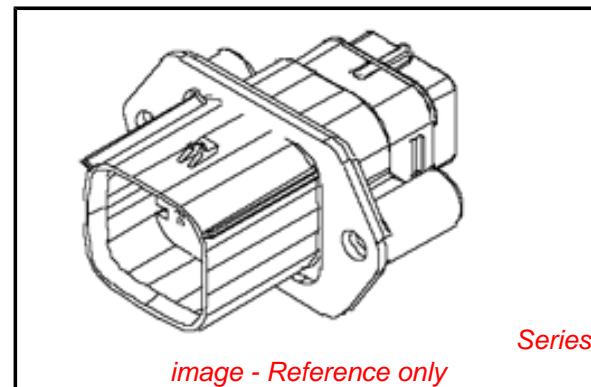
**Electrical**

Current - Maximum per Contact	18A
-------------------------------	-----

**Material Info**

**Reference - Drawing Numbers**

Packaging Specification	PK-19435-001
Sales Drawing	SD-19435-008



**EU RoHS**

**ELV and RoHS Compliant**  
**REACH SVHC**  
 Not Reviewed  
**Halogen-Free Status**  
 Not Reviewed

**China RoHS**



**Need more information on product environmental compliance?**

Email [productcompliance@molex.com](mailto:productcompliance@molex.com)  
 For a multiple part number RoHS Certificate of Compliance, [click here](#)

Please visit the [Contact Us](#) section for any non-product compliance questions.

**Search Parts in this Series**

[19435Series](#)

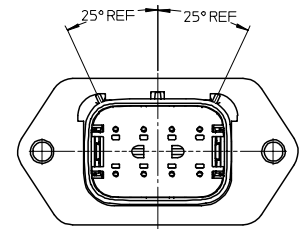
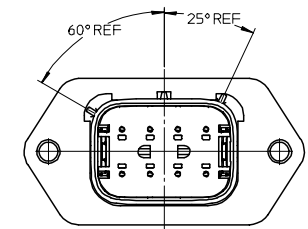
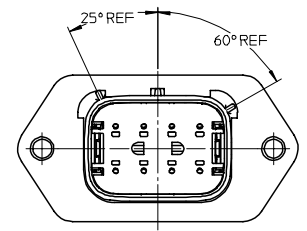
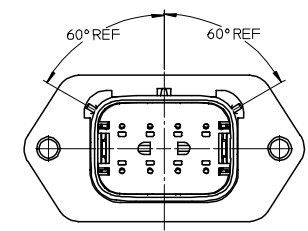
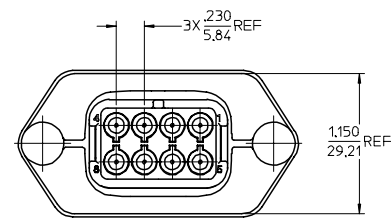
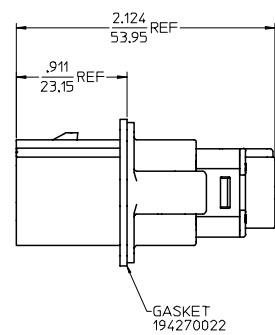
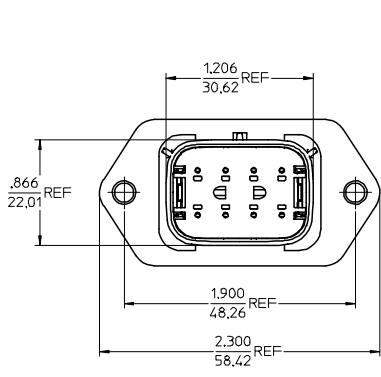
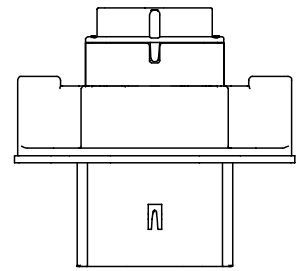
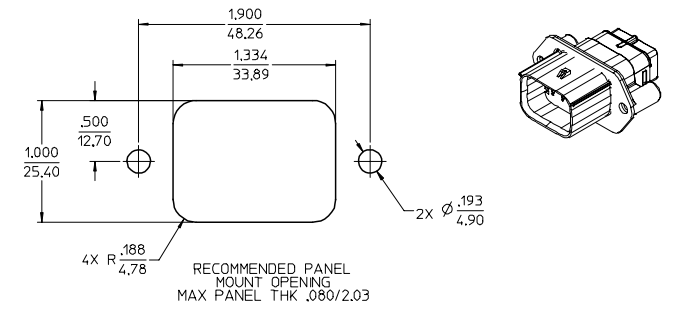
**Mates With**

[19418](#)

**Use With**

[19417 Male Crimp Terminals](#)

MATERIAL NUMBER	WIRE GAGE	GASKET	KEYING OPTION	COLOR
194350811	16-14	YES	A	BLACK
194350812	22-18	YES	A	BLACK
194350813	16-14	NO	A	BLACK
194350814	22-18	NO	A	BLACK
194350816	16-14	YES	B	GRAY
194350817	22-18	YES	B	GRAY
194350818	16-14	NO	B	GRAY
194350819	22-18	NO	B	GRAY
194350821	16-14	YES	C	BROWN
194350822	22-18	YES	C	BROWN
194350823	16-14	NO	C	BROWN
194350824	22-18	NO	C	BROWN
194350826	16-14	YES	D	GREEN
194350827	22-18	YES	D	GREEN
194350828	16-14	NO	D	GREEN
194350829	22-18	NO	D	GREEN



NOTES:  
 1. MATERIALS:  
 HOUSING: POLYESTER (PB7). GLASS FILLED. UL94 V-0.  
 COLOR: SEE CHART.  
 SEAL & GASKET: SILICONE RUBBER.  
 2. PRODUCT SPECIFICATION: PS-19417-001.  
 3. PACKAGING SPECIFICATION: PK-19419-001.  
 4. MATES WITH 19418 SERIES RECEPTACLE ASSEMBLIES.  
 5. RECOMMENDED MOUNTING HARDWARE: (2) #10 X .62/18.9 LONG PLASTIC  
 THREAD CUTTING SCREWS. RECOMMENDED TORQUE 15-17 IN-LBS.  
 SUGGESTED SOURCE: ITW SHAKEPROOF INDUSTRIAL BOSSCREW OR EQUIVALENT.

<b>NEW PRODUCT</b> IEC NO. ETC 2005-0228 DRAWN: JPAML/CK 2005/06/28 CHKCD: JPAML/CK 2005/06/28 APPR: RDEROSS 2005/06/28	QUALITY SYMBOLS	GENERAL TOLERANCES (UNLESS SPECIFIED)	DIMENSION STYLE	SCALE	DESIGN UNITS	THIRD ANGLE PROJECTION															
	$\nabla=0$ $\nabla=0$	<table border="1"> <tr><th></th><th>mm</th><th>INCH</th></tr> <tr><td>4 PLACES</td><td>± .15</td><td>± .005</td></tr> <tr><td>3 PLACES</td><td>± .10</td><td>± .005</td></tr> <tr><td>2 PLACES</td><td>± 0.38</td><td>± .015</td></tr> <tr><td>1 PLACE</td><td>± .15</td><td>± .005</td></tr> </table>		mm	INCH	4 PLACES	± .15	± .005	3 PLACES	± .10	± .005	2 PLACES	± 0.38	± .015	1 PLACE	± .15	± .005	IN/MM	2:1	INCH	
		mm	INCH																		
	4 PLACES	± .15	± .005																		
3 PLACES	± .10	± .005																			
2 PLACES	± 0.38	± .015																			
1 PLACE	± .15	± .005																			
DESCRIPTION	DRAFT WHERE APPLICABLE MUST REMAIN WITHIN DIMENSIONS	SEE CHART	MATERIAL NO.	DOCUMENT NO.	SHEET NO.																
A			SD-19435-008	SD-19435-008	1 OF 1																